

## 1830KH LUCERNE

«Medium» version in the round flush recessed raking light range. Choice of lighting effects for customised LED marker-lighting.

### APPLICATIONS:

- Decorative or safety marker-lighting
- Installed at regular intervals to mark a path, cycle path, stairs
- Public space enhancement

### CARACTERISTICS

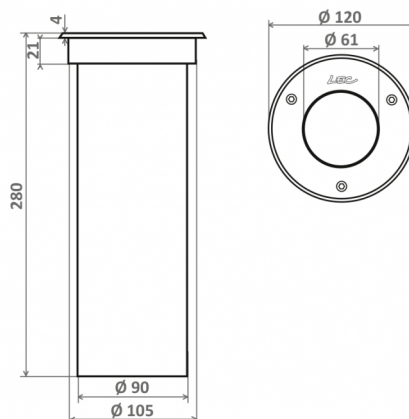
Projector equipped with a stainless steel flange of Ø 120 mm with a 4 mm thick protusion.

The flange hides recess plate imperfections.

Homogeneous window

This projector 1830K does not withstand occasional vehicles driving.

- Anodised aluminium body
- Vandalproof organic glass window
- 316L Stainless steel screws
- Flush-recessed (except 1830K and 1830D)
- RGB options available



Number of LEDs	36, 12, 4
Type of LEDs	120° SMD LEDs (S), SMD trichro (A), Power LEDs. Contact us for hot countries.
Color(s)	Warm white 2700K (F), Warm white 3000K (E), Neutral white 4000K (N), Cool white 6000K (W), Red (R), Amber (O), Green (V), Blue (L), RVB (T), Royal blue (K)

Select your specific requirements with our product configurator, by filtering technical criteria at the following link:  
<http://www.lec-lyon.com/1830khz-lucerne-r913>

### APPLICATION

- Marker-lighting

### CONFIGURATEUR.EMPLACEMENT

- Ground recessed fittings

### CARACTERISTICS

Weight : 450 g

### Options of luminous effects

- RGB options
- Adjustable on 1 axis
- Flat homogeneous window (optional)
- Colour control system (optional)

### Power supply - Control

- Cable length: 1 m
- Integrated : 24V-PWM
- Remote : 24V-0/10V, 24V-DMX, 24V-DALI
- Integrated : 230V-Non dimmable

### Material

- AL Anodised glazed aluminium
- 316L 316L Stainless steel
- PC 2 Vandalism-proof, scratch-proof, UV-proof, polycarbonate window, M2

### Mechanical strength - Waterproofness

- IK10 Resists impacts up to IK10
- 60J 60J
- IP68 Tight for extended immersion