

1830 LUCERNE

«Medium» version in the round flush recessed raking light range. Choice of lighting effects for customised LED marker-lighting.

APPLICATIONS:

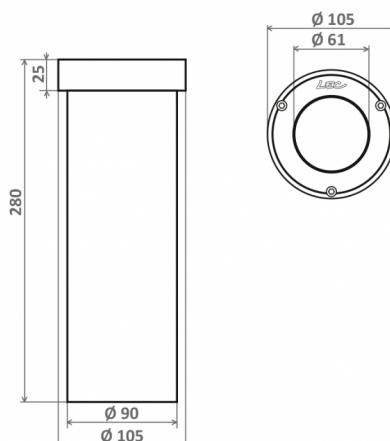
- Decorative or safety marker-lighting
- Installed at regular intervals to mark a path, cycle path, stairs
- Public space enhancement

CARACTERISTICS

- Anodised aluminium body
- Vandalproof organic glass window
- 316L Stainless steel screws
- Flush-recessed (except 1830K and 1830D)

Withstands occasional traffic from all kinds of vehicles

- RGB options available



Number of LEDs	36, 12
Type of LEDs	120° SMD LEDs (S), SMD trichro (A)
Color(s)	Warm white 2700K (F), Warm white 3000K (E), Neutral white 4000K (N), Cool white 6000K (W), Red (R), Amber (O), Green (V), Blue (L), RVB (T)

Select your specific requirements with our product configurator, by filtering technical criteria at the following link:

<http://www.lec-lyon.com/1830z-lucerne-r909>

APPLICATION

- Marker-lighting

CONFIGURATEUR.EMPLACEMENT

- Ground flush recessed fittings
- Ground recessed fittings
- Pavements sides

CARACTERISTICS

Weight : 290 g

Options of luminous effects

- RGB options
- Adjustable on 1 axis
- Transparent flat window
- Colour control system (optional)

Power supply - Control

- Cable length: 1 m
- Integrated : 24V-PWM
- Remote : 24V-0/10V, 24V-DMX, 24V-DALI
- Integrated : 230V-Non dimmable

Material

- AL Anodised glazed aluminium
- PC 2 Vandalism-proof, scratch-proof, UV-proof, polycarbonate window, M2

Mechanical strength - Waterproofness

- Withstands random all vehicles traffic
- IK10 60J** Resists impacts up to IK10 60J
- IP68** Tight for extended immersion