

## 1830KD LUCERNE

«Medium» version in the round flush recessed raking light range. Choice of lighting effects for customised LED marker-lighting.

### APPLICATIONS:

- Decorative or safety marker-lighting
- Installed at regular intervals to mark a path, cycle path, stairs
- Public space enhancement

### CHARACTERISTICS

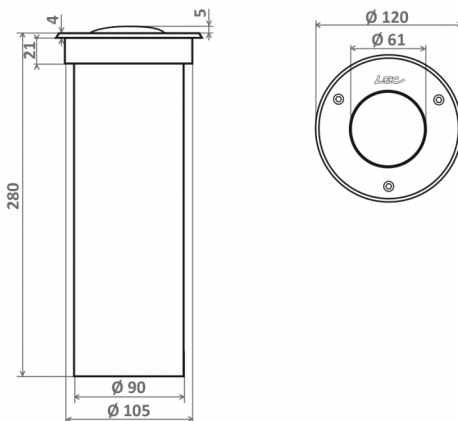
Projector equipped with a stainless steel flange of  $\varnothing$  120 mm with a 4 mm thick protusion.

The flange hides recess plate imperfections.

Dome

This projector 1830K does not withstand occasional vehicles driving.

- Anodised aluminium body
- Vandalproof organic glass window
- 316L Stainless steel screws
- Flush-recessed (except 1830K and 1830D)
- RGB options available



Number of LEDs	36, 12
Type of LEDs	120° SMD LEDs (S), SMD trichro (A)
Color(s)	Warm white 2700K (F), Warm white 3000K (E), Neutral white 4000K (N), Cool white 6000K (W), Red (R), Amber (O), Green (V), Blue (L), RVB (T)

Select your specific requirements with our product configurator, by filtering technical criteria at the following link:

<http://www.lec-lyon.com/1830kdz-lucerne-r2492>

### APPLICATION

- Marker-lighting

### CONFIGURATEUR.EMPLACEMENT

- Ground recessed fittings

### CHARACTERISTICS

Weight : 450 g

### Options of luminous effects

- RGB options
- Adjustable on 1 axis
- Frosted dome (optional)
- Colour control system (optional)

### Power supply - Control

Cable length: 1 m

**Integrated** : 24V-PWM  
**Remote** : 24V-0/10V, 24V-DMX, 24V-DALI

**Integrated** : 230V-Non dimmable

### Material

- AL** Anodised glazed aluminium
- 316L** 316L Stainless steel
- PC 2** Vandalism-proof, scratch-proof, UV-proof, polycarbonate window, M2

### Mechanical strength - Waterproofness

**IK10 60J** Resists impacts up to IK10 60J

**IP68** Tight for extended immersion